

Amphenol Mini SAS Products Over mold Overview

Connecting the future

Amphenol
AssembleTech

Over mold types

1. Mini SAS 36P STR

a. AST P/N:AST8087-0036

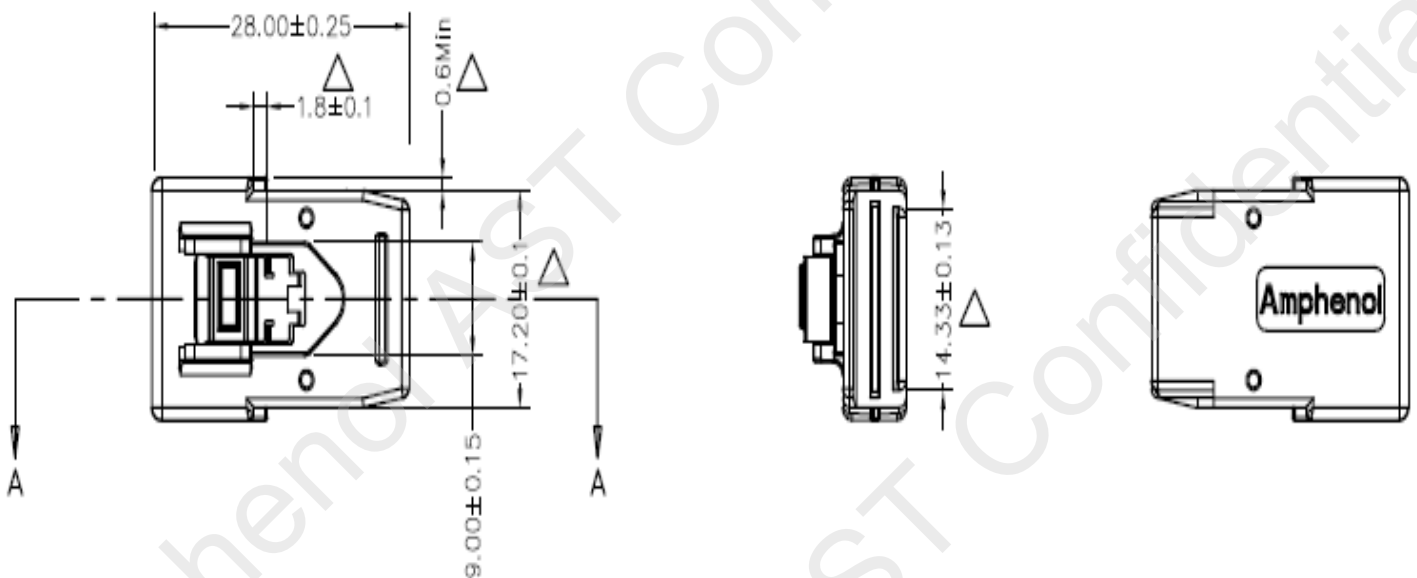
b. Product Description

Configuration: Mini SAS 36P STR

Wire gauge: SAS Cable :26AWG, 28AWG, 30AWG ,32AWG

SATA Cable: 30AWG

Available lengths: 120~1000mm



Amphenol
AssembleTech

2. Mini SAS 36P STR

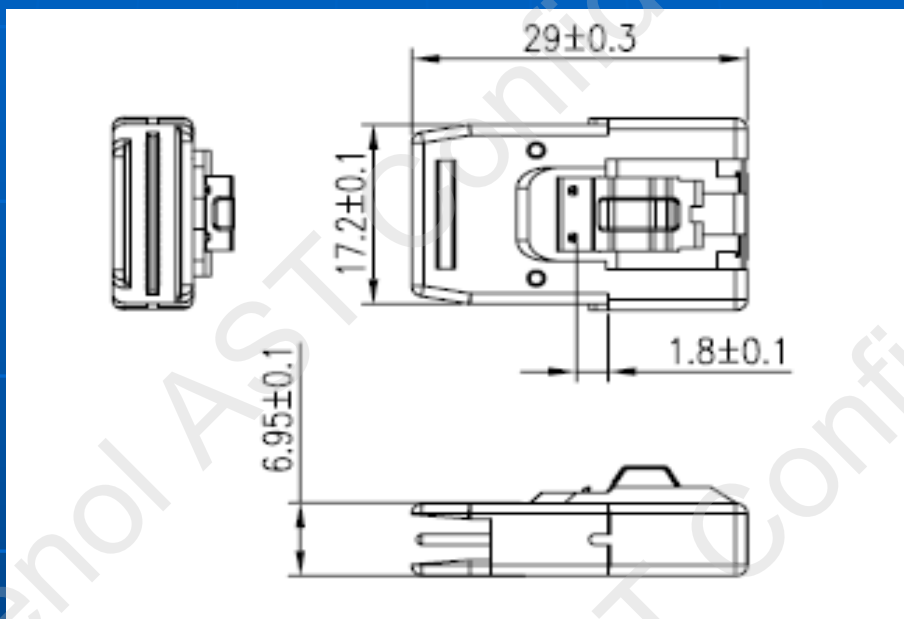
a. AST P/N:AST8087-0036-01

b. Product Description

Configuration: Mini SAS 36P STR

Wire gauge: SAS Cable 26AWG, 28AWG, 30AWG, 32AWG
SATA Cable 30AWG

Available lengths: 120~1000mm



Amphenol
AssembleTech

3. Mini SAS 36P Right side-exit

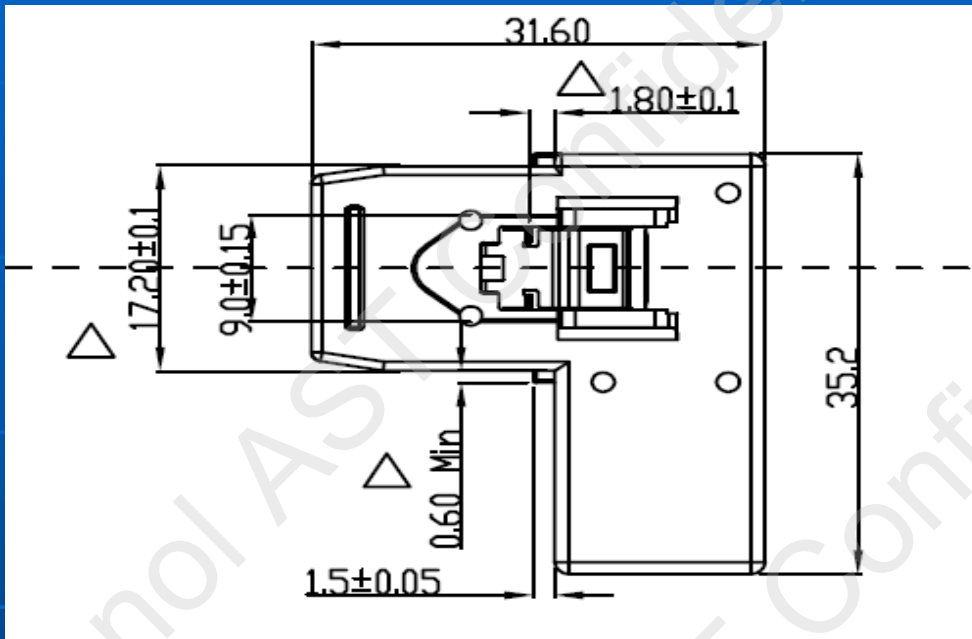
a. AST P/N:AST8087-0036-05

b. Product Description

Configuration: Mini SAS 36P right side-exit

Wire gauge: SAS Cable:28AWG, 30AWG ,32AWG

Available lengths: 120~1000mm



**Amphenol
AssembleTech**

4. Mini SAS 36P left side-exit

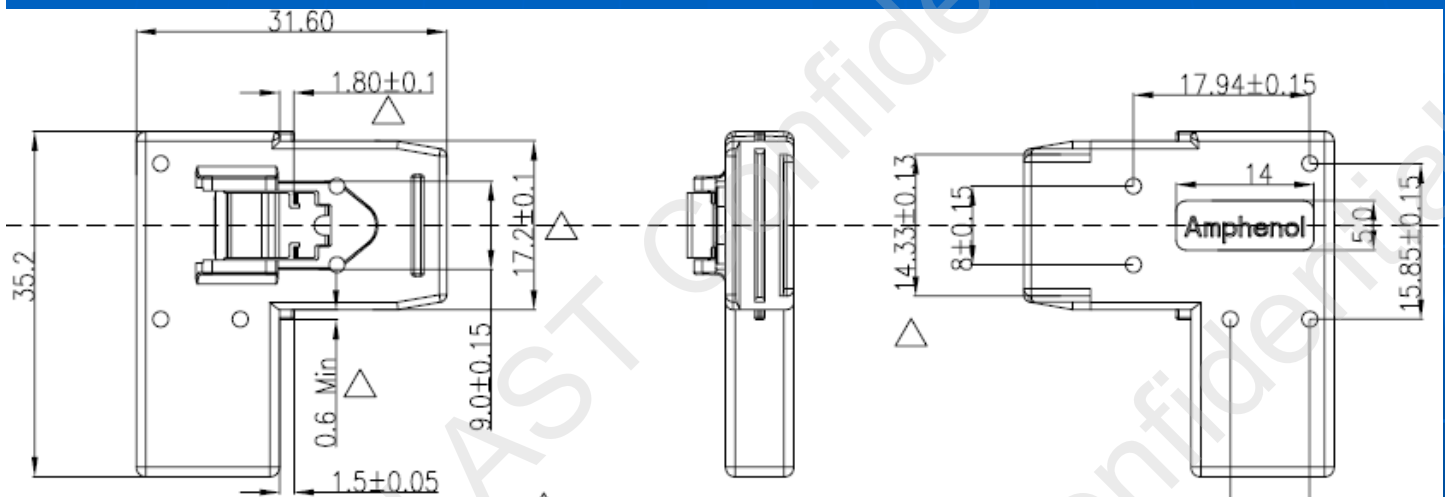
a. AST P/N:AST8087-0036-04

b. Product Description

Configuration: Mini SAS 36P left side-exit

Wire gauge: SAS Cable :28AWG, 30AWG ,32AWG

Available lengths: 120~1000mm



Amphenol
AssembleTech

5. Mini SAS 36P R/A(90度)

a. AST P/N:AST8087-0036-07

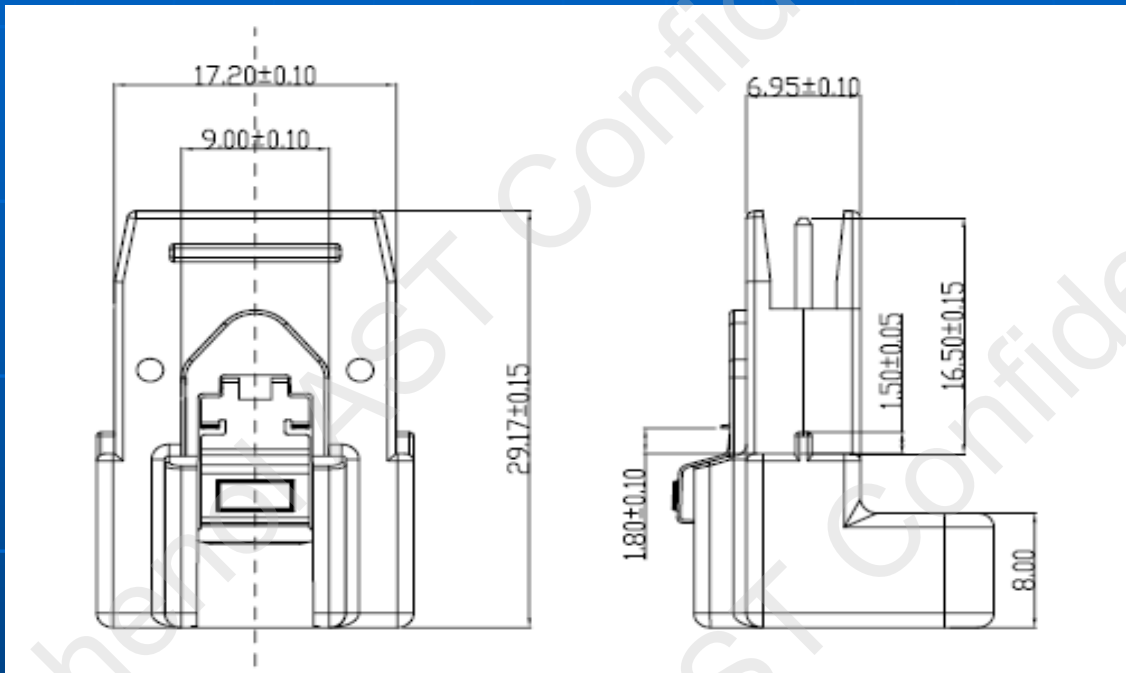
Over mold P/N:MSAS36-R002

b. Product Description

Configuration: Mini SAS 36P R/A (90 degree)

Wire gauge: SAS Cable 26AWG, 28AWG, 30AWG ,32AWG
SATA Cable 30AWG

Available lengths: 150~1000mm



**Amphenol
AssembleTech**

6. Mini SAS 36P R/A (Latch在内侧)

a. AST P/N:AST8087-0036-06

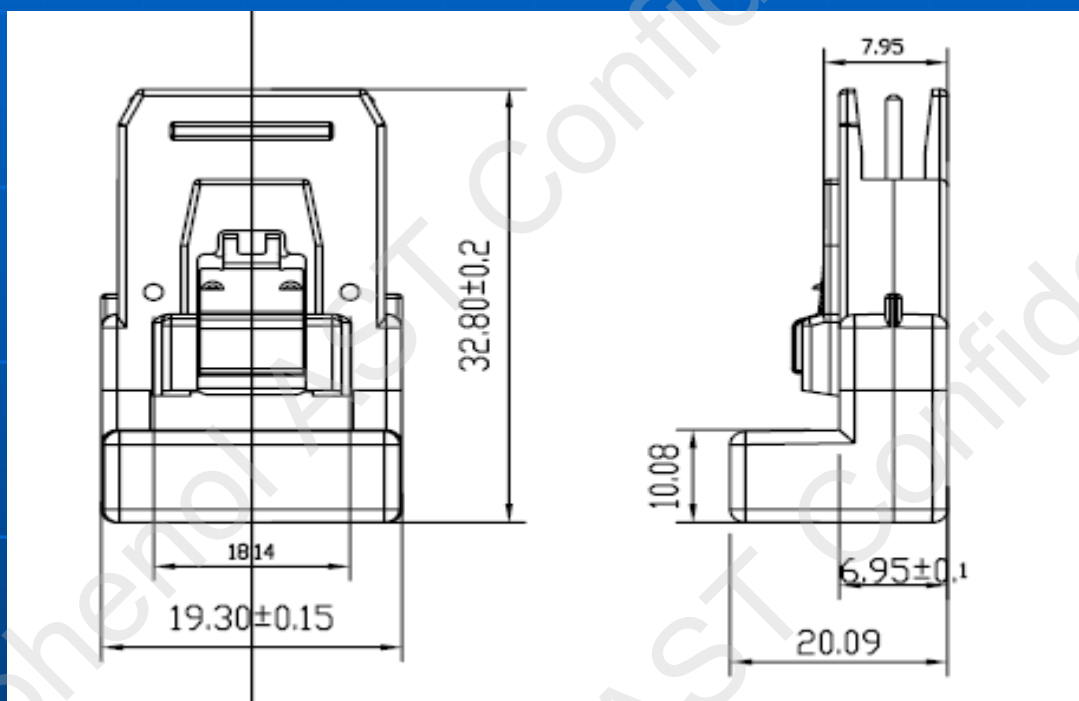
b. Product Description

Configuration: Mini SAS 36P R/A Latch inboard

Wire gauge: SAS Cable 26AWG, 28AWG, 30AWG

SATA Cable 30AWG

Available lengths: 150~1000mm



**Amphenol
AssembleTech**

7. Mini SAS 26P STR

a. AST P/N:AST8087-0026

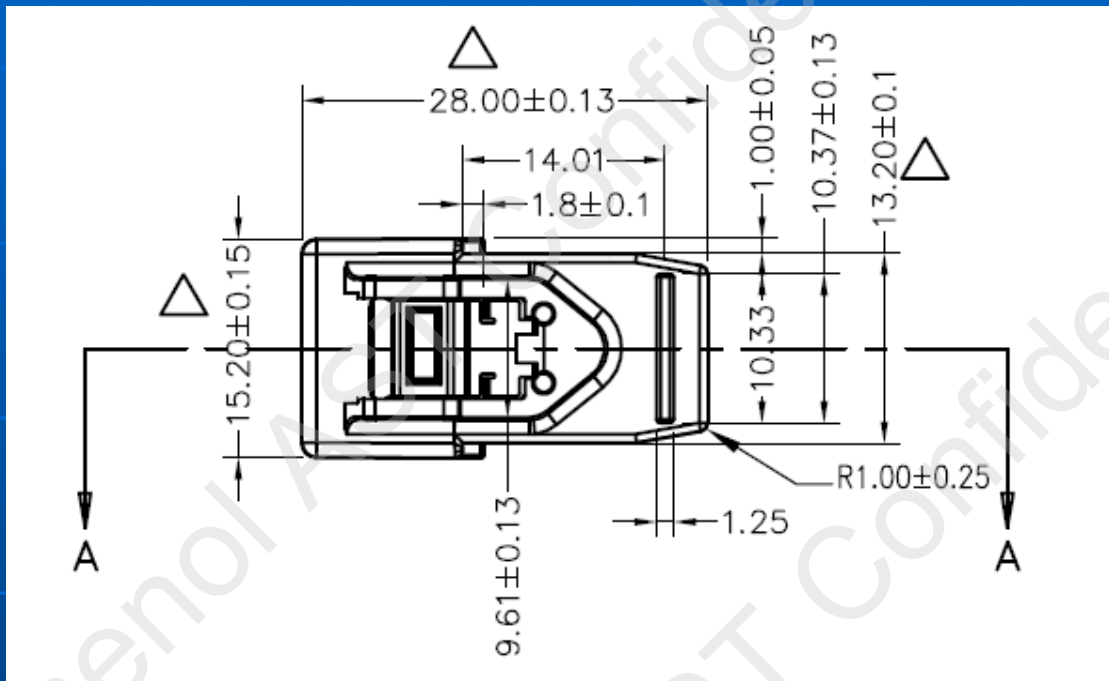
b. Product Description

Configuration: Mini SAS 26P STR

Wire gauge: SAS Cable :30AWG ,32AWG

SATA Cable 30AWG

Available lengths: 120~1000mm



**Amphenol
AssembleTech**

8. Mini SAS 26P R/A

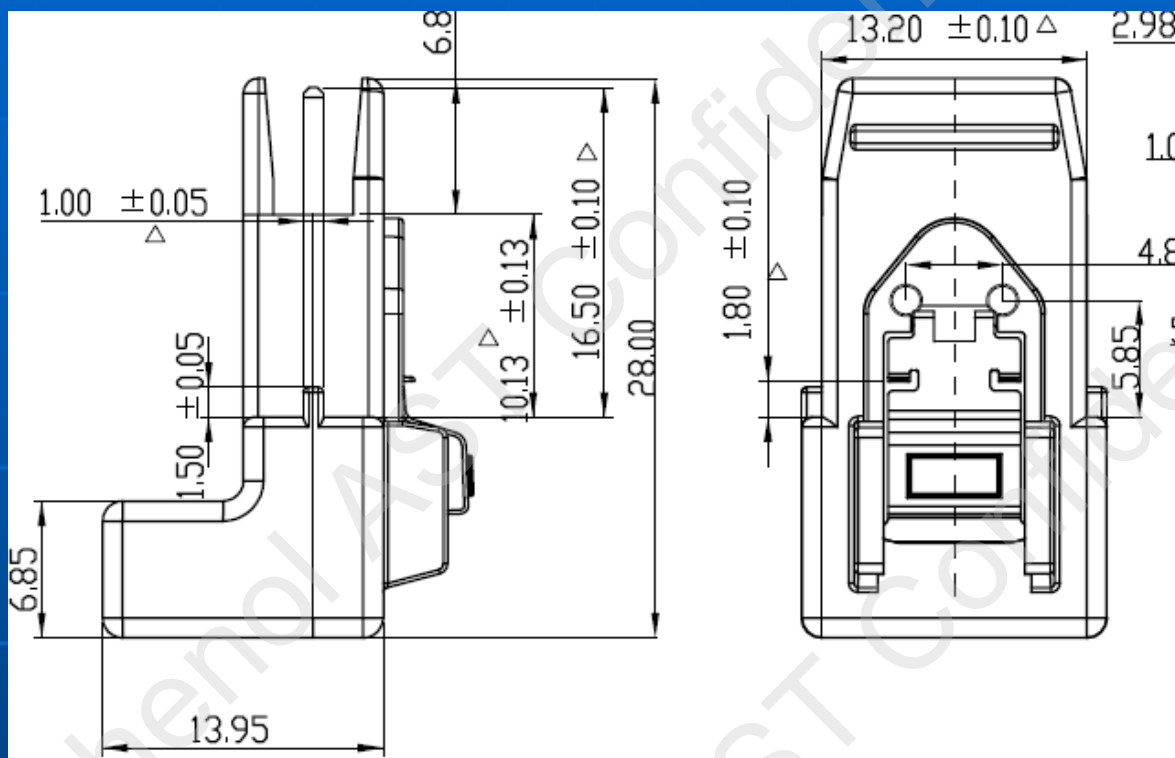
a. AST P/N:AST8087-0026-01

b. Product Description

Configuration: Mini SAS 26P R/A

Wire gauge: SAS Cable :30AWG ,32AWG

Available lengths: 120~1000mm



**Amphenol
AssembleTech**

9. Mini SAS 26P left SIDE-EXIT

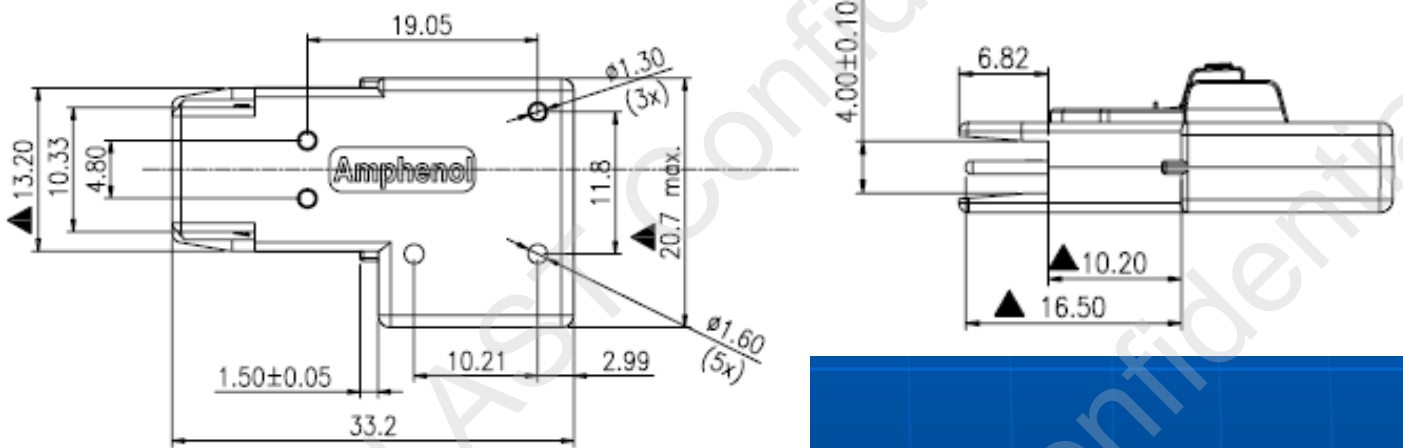
a. AST P/N:AST8087-0026-01

b. Product Description

Configuration: Mini SAS 26P left side-exit

Wire gauge: SAS Cable :30AWG ,32AWG

Available lengths: 150~1000mm



Amphenol
AssembleTech

10. Mini SAS 36P right side-exit short

a. AST P/N:AST8087-0036-11

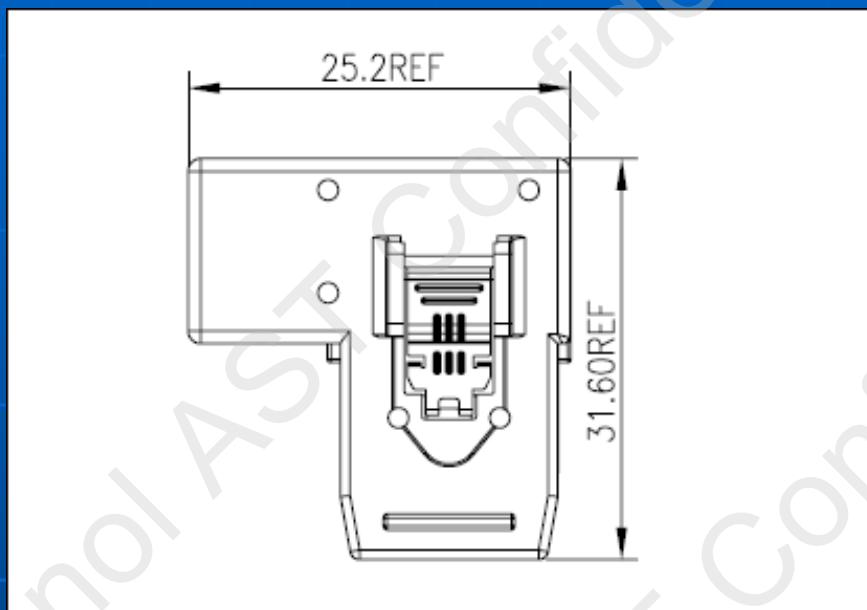
b. Product Description

Configuration: Mini SAS 26P left side-exit

Wire gauge: SAS Cable :26AWG,28AWG,30AWG ,32AWG

SATA Cable :30AWG

Available lengths: 120~1000mm



Amphenol
AssembleTech

11. Mini SAS 50P STR

a. AST P/N:AST8087-0050

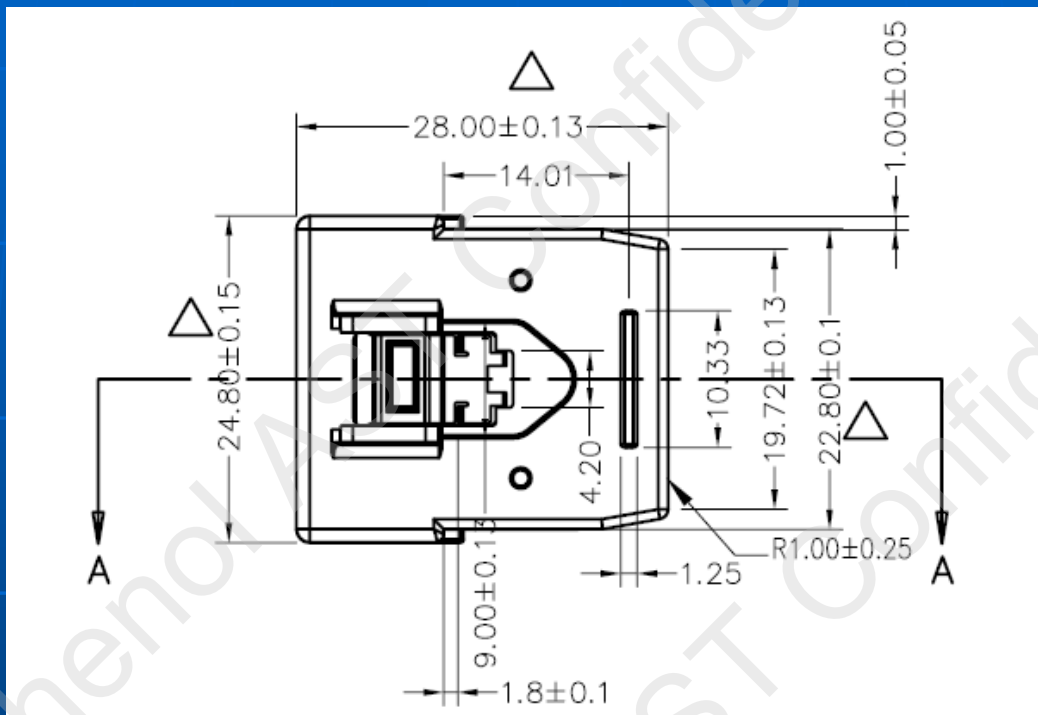
b. Product Description

Configuration: Mini SAS 50P STR

Wire gauge: SAS Cable :26AWG,28AWG,30AWG ,32AWG

SATA Cable :30AWG

Available lengths: 200~1000mm



**Amphenol
AssembleTech**

12. Mini SAS 68P STR

a. AST P/N:AST8087-0068

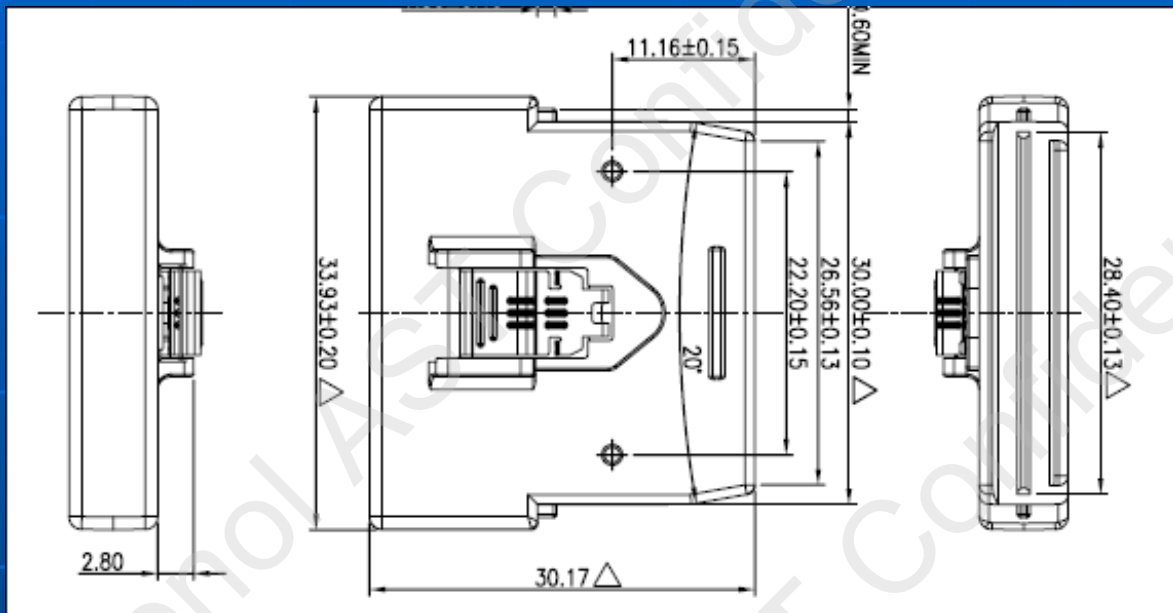
b. Product Description

Configuration: Mini SAS 68P STR

Wire gauge: SAS Cable :26AWG,28AWG,30AWG ,32AWG

SATA Cable :30AWG

Available lengths: 200~1000mm



**Amphenol
AssembleTech**

12. Mini SAS 68P RA

a. AST P/N:AST8087-0068-RA

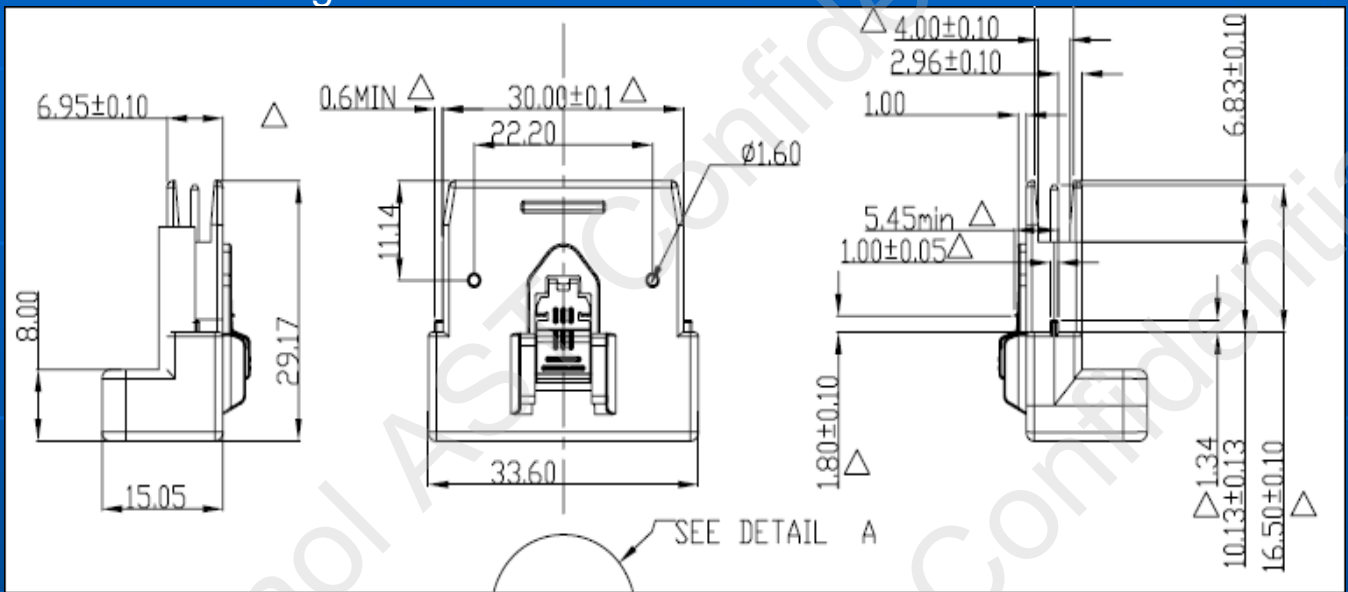
b. Product Description

Configuration: Mini SAS 68P STR

Wire gauge: SAS Cable :26AWG,28AWG,30AWG ,32AWG

SATA Cable :30AWG

Available lengths: 200~1000mm



**Amphenol
AssembleTech**

14. Mini SAS 68P R/A

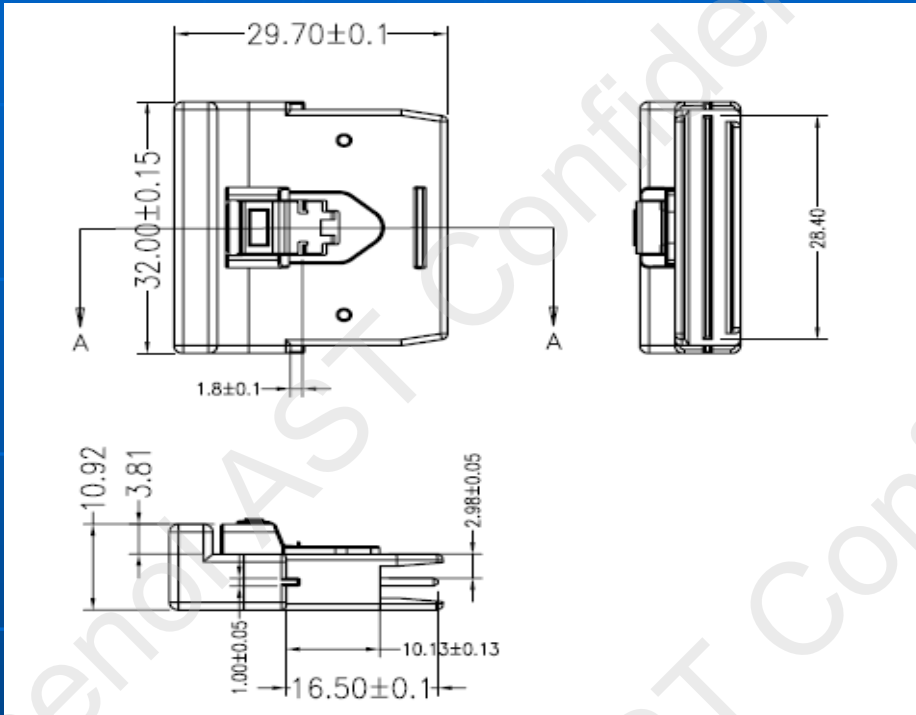
a. AST P/N:AST8087-0068-01

b. Product Description

Configuration: Mini SAS 68P R/A Latch inboard

Wire gauge: SAS Cable :28AWG,30AWG ,32AWG

Available lengths: 200~1000mm



**Amphenol
AssembleTech**

13. Mini SAS 36P U-type

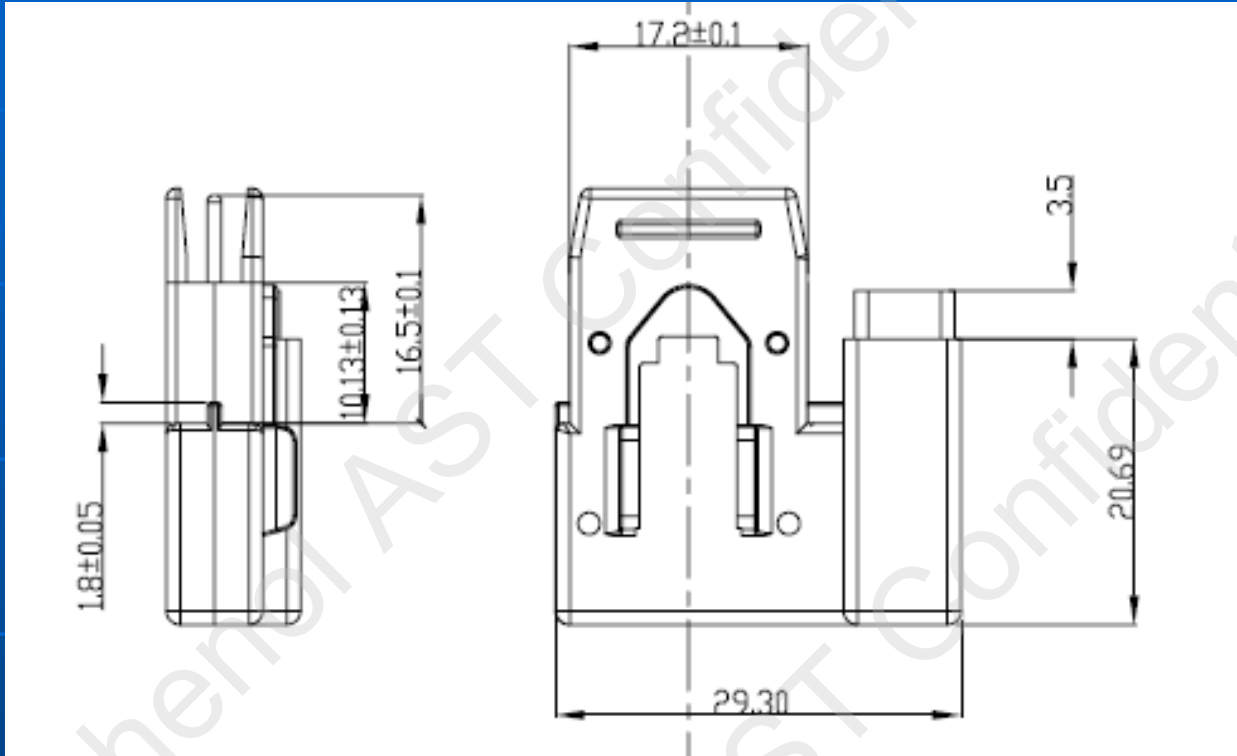
a. AST P/N:AST8087-0036-10

b. Product Description

Configuration: Mini SAS 36P U-type

Wire gauge: SAS Cable :30AWG ,32AWG

Available lengths: 200~1000mm



**Amphenol
AssembleTech**

15. Mini SAS 36P R/A lengthen type

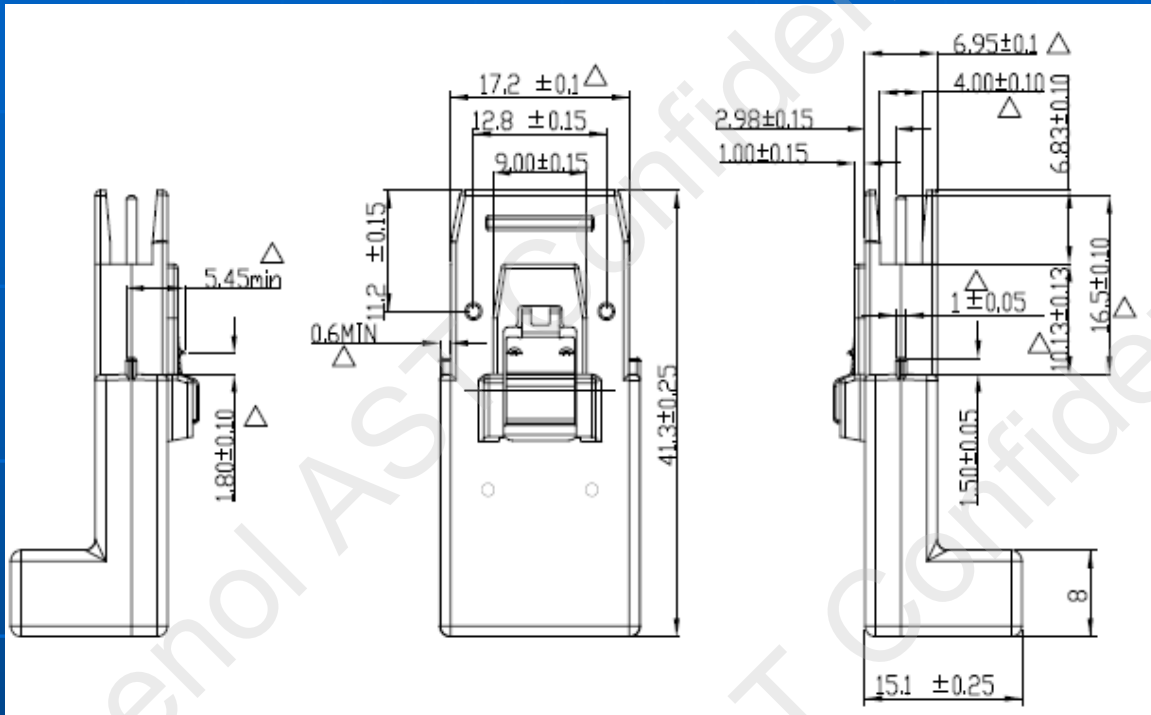
a. AST P/N:AST8087-0036-09

b. Product Description

Configuration: Mini SAS 36P R/A lengthen type

Wire gauge: SAS Cable :26AWG,28AWG,30AWG ,32AWG

Available lengths: 200~1000mm



**Amphenol
AssembleTech**

16. Mini SAS 36P STR right key

a. Over mold P/N:AST8087-0036-13-RK

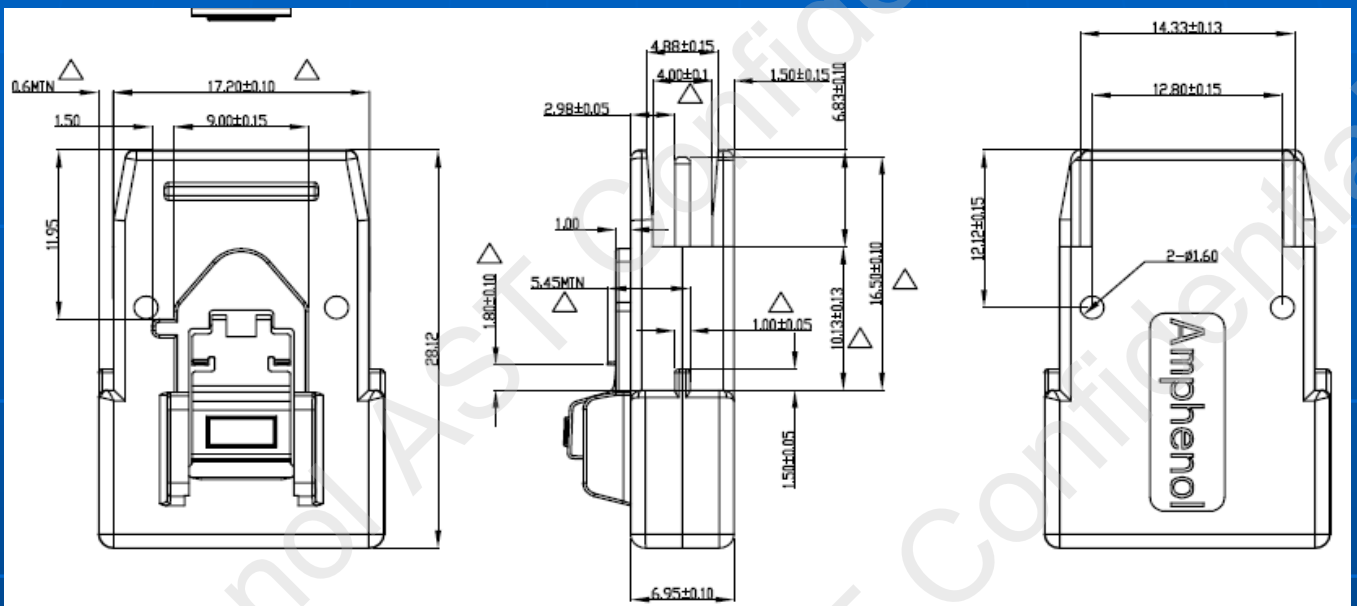
b. Product Description

Configuration: Mini SAS 36P STR right key

Wire gauge: SAS Cable :26AWG, 28AWG, 30AWG ,32AWG

SATA Cable: 30AWG

Available lengths: 120~1000mm



**Amphenol
AssembleTech**

17. Mini SAS 36P STR left key

a. Over mold P/N:AST8087-0036-14-LK

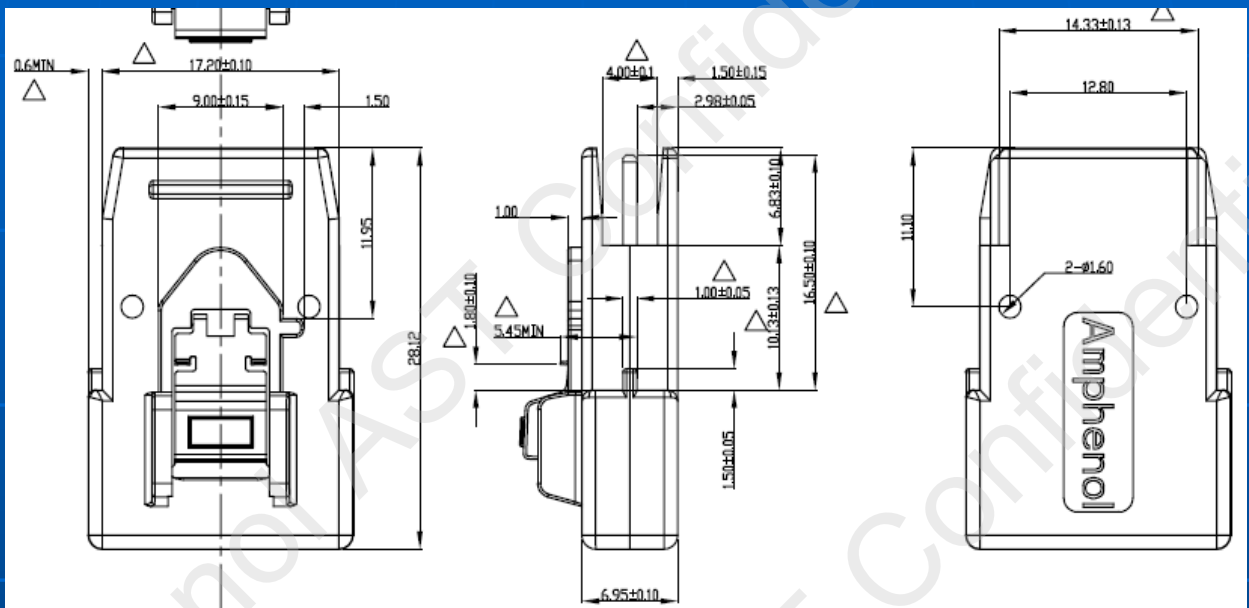
b. Product Description

Configuration: Mini SAS 36P STR left key

Wire gauge: SAS Cable :26AWG, 28AWG, 30AWG ,32AWG

SATA Cable: 30AWG

Available lengths: 120~1000mm



Amphenol
AssembleTech

19. Mini SAS 36P left side-exit right key

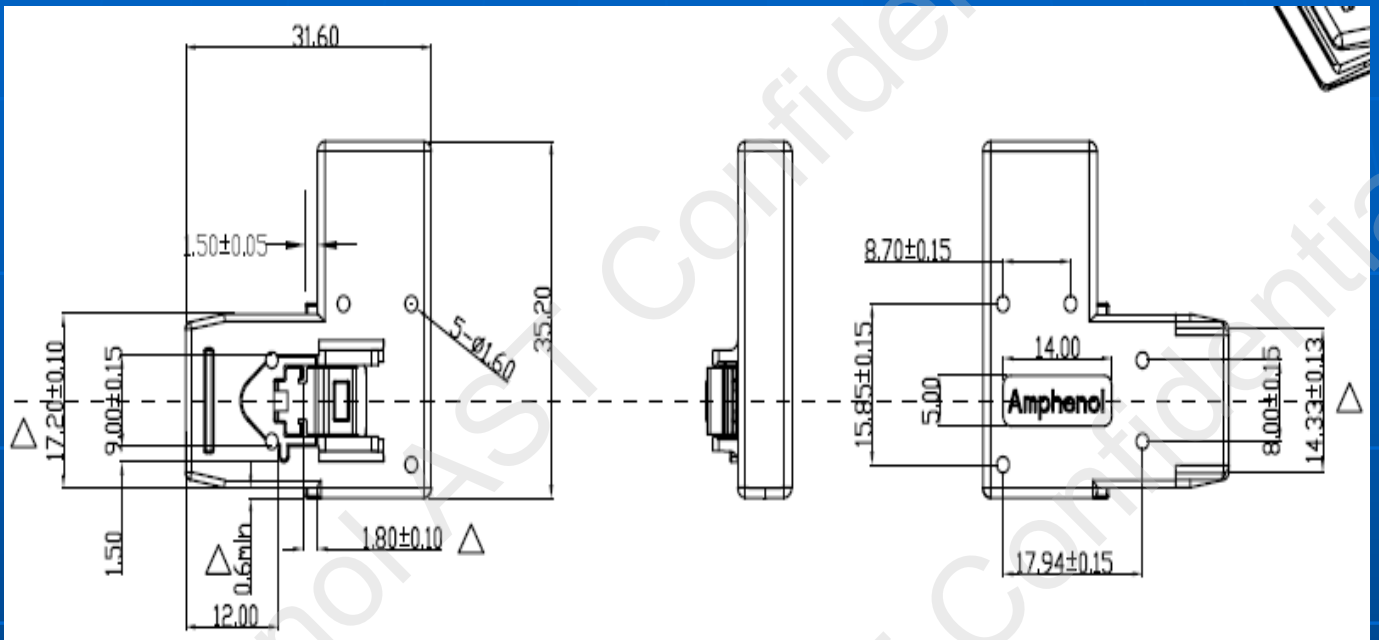
a. Over mold P/N: AST8087-0036-15-RK

b. Product Description

Configuration: Mini SAS 36P left side-exit right key

Wire gauge: SAS Cable: 28AWG, 30AWG, 32AWG

Available lengths: 120~1000mm



**Amphenol
AssembleTech**

18. Mini SAS 36P right side-exit left key

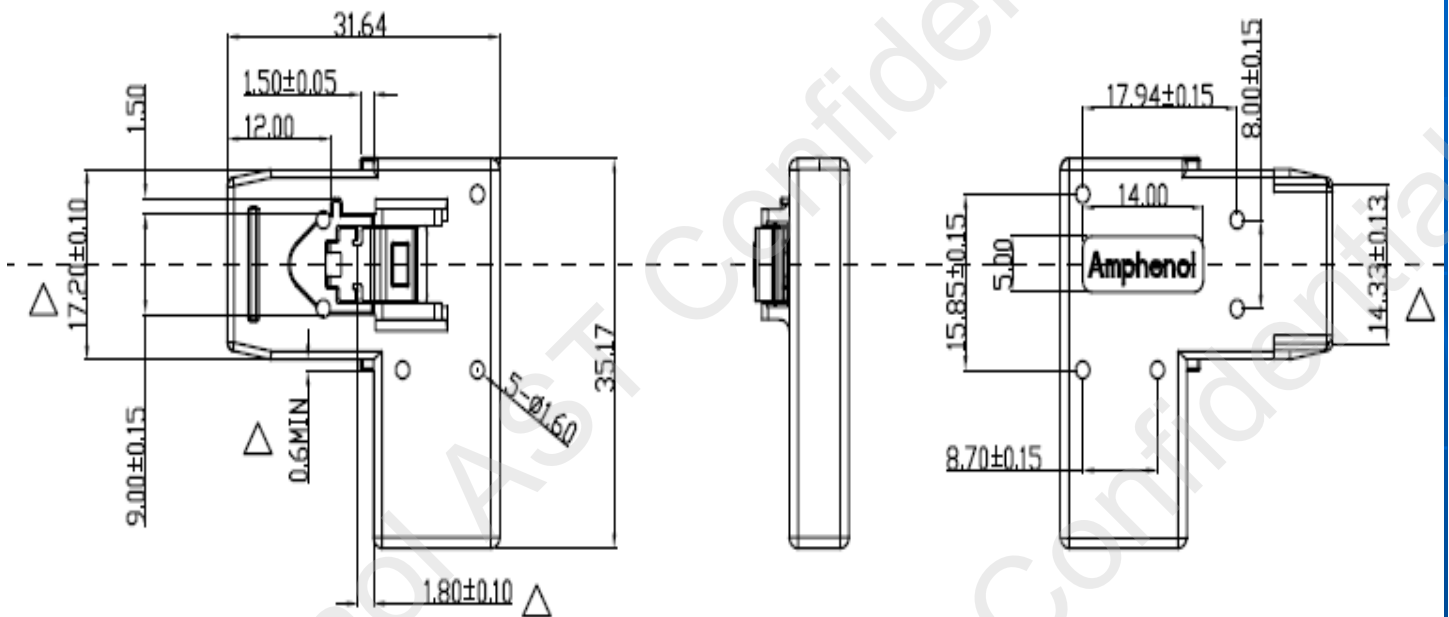
a. Over mold P/N: AST8087-0036-16-LK

b. Product Description

Configuration: Mini SAS 36P right side-exit left key

Wire gauge: SAS Cable: 28AWG, 30AWG, 32AWG

Available lengths: 120~1000mm



Amphenol
AssembleTech

20. HD Mini SAS 36P STR

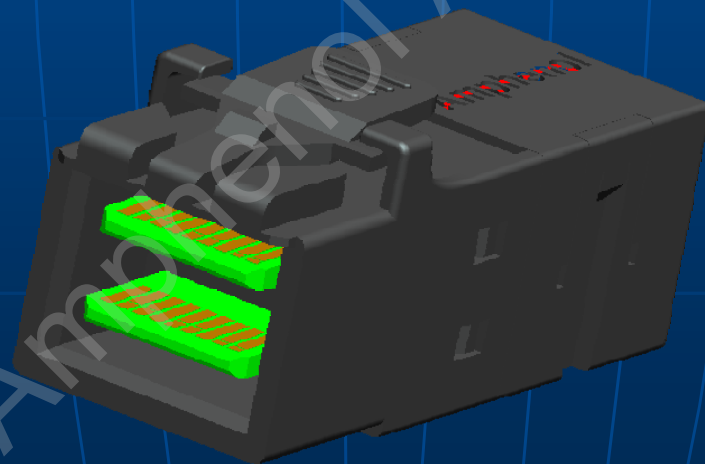
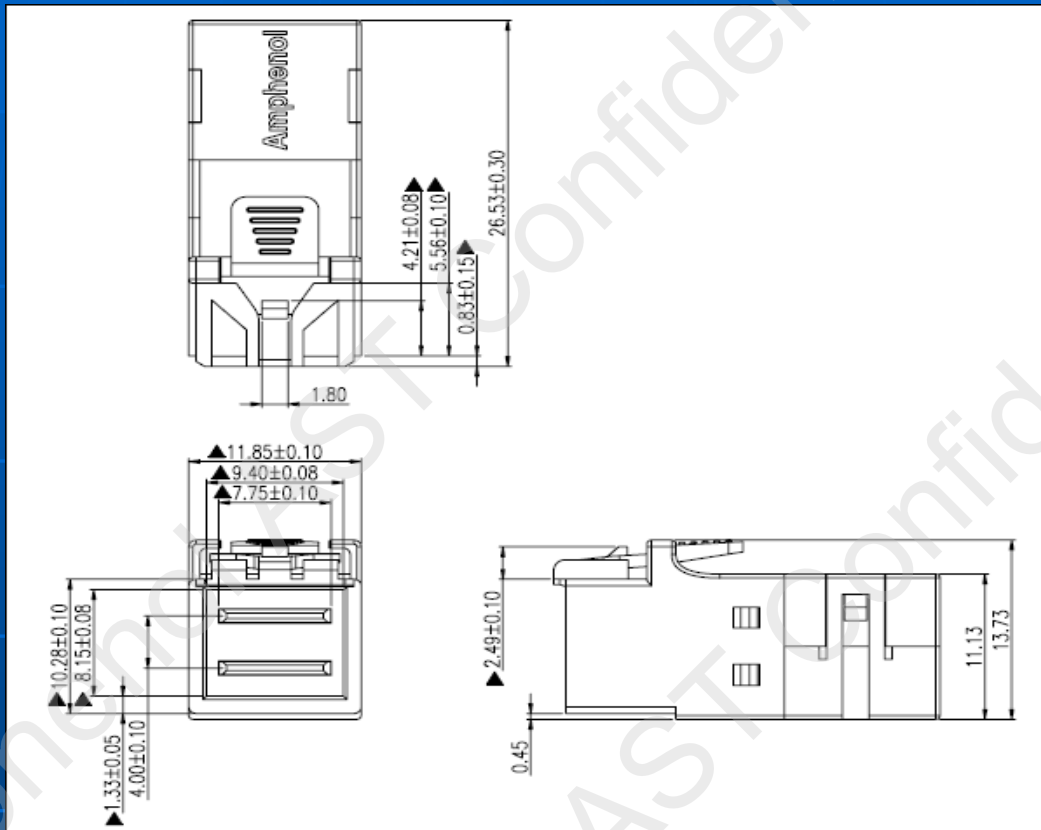
a. Over mold P/N:AST8643-0036

b. Product Description

Configuration :HD Mini SAS 36P STRAIGHT

Wire gauge: SAS Cable:28AWG, 30AWG

Available lengths: 120~1000mm



**Amphenol
AssembleTech**

21. HD Mini SAS 36P SIDE-EXIT

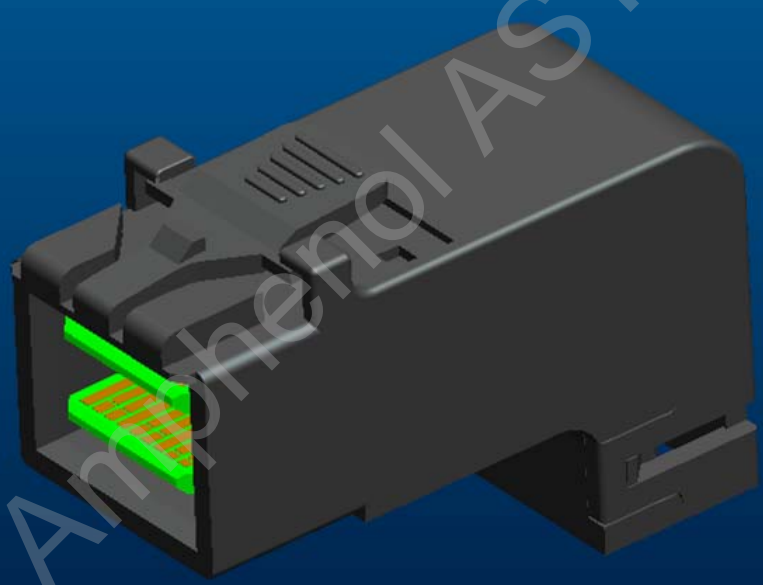
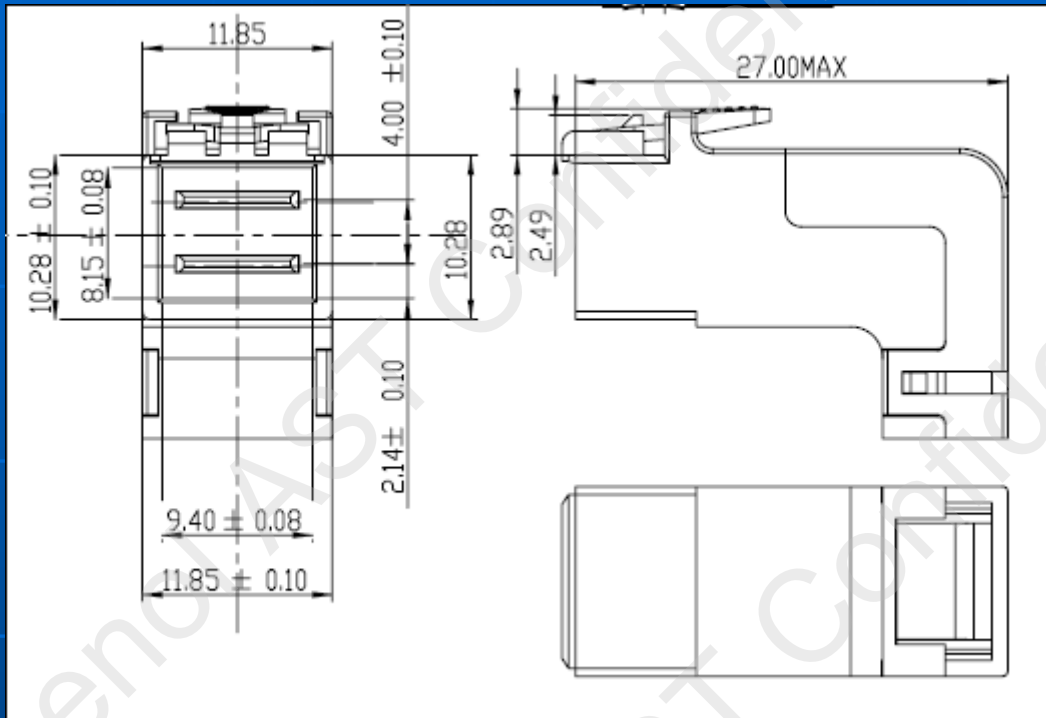
a. Over mold P/N:AST8643-0036-SE

b. Product Description

Configuration :HD Mini SAS 36P SIDE-EXIT

Wire gauge: SAS Cable:28AWG, 30AWG

Available lengths: 120~1000mm



**Amphenol
AssembleTech**

21. HD Mini SAS 36P Right angle

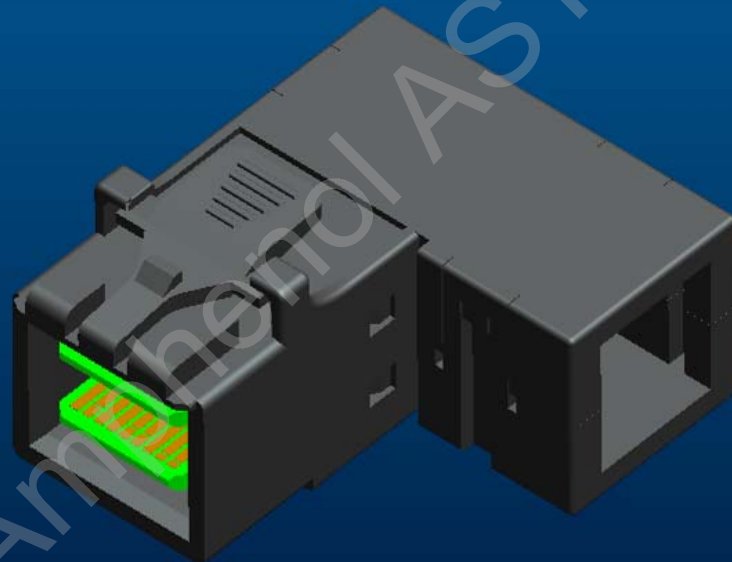
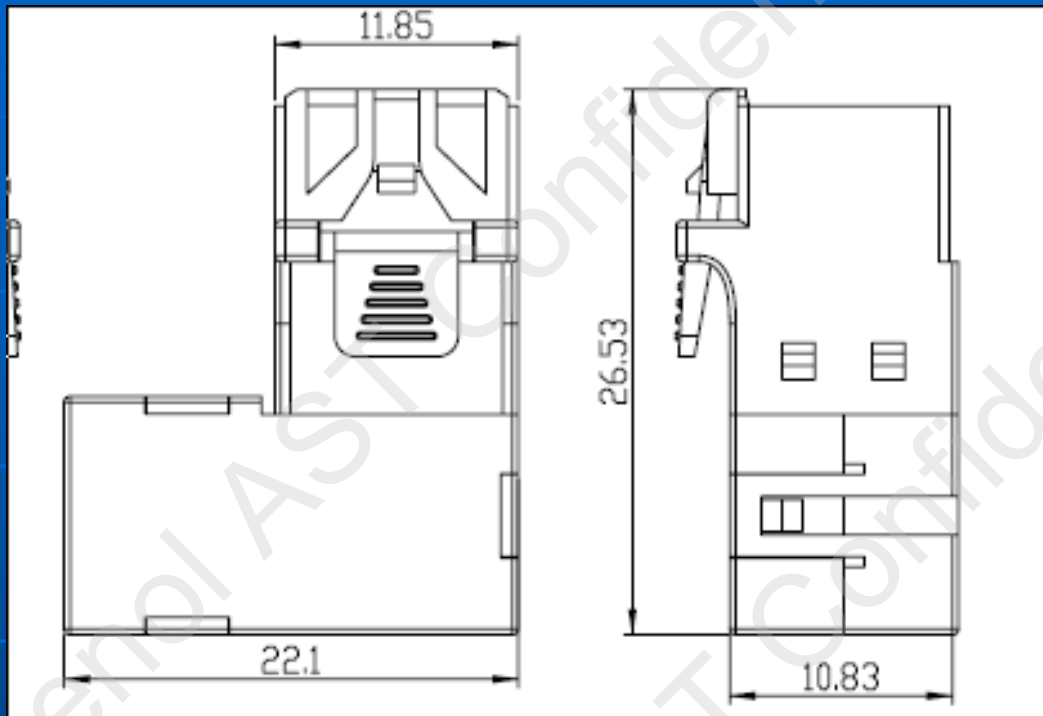
a. Over mold P/N: AST8643-0036-RA

b. Product Description

Configuration : HD Mini SAS 36P R/A

Wire gauge: SAS Cable:28AWG, 30AWG

Available lengths: 120~1000mm



**Amphenol
AssembleTech**

22. HD Mini SAS 36P STR-SHORT BODY

a. Over mold P/N: AST8643-0036-STR-Short

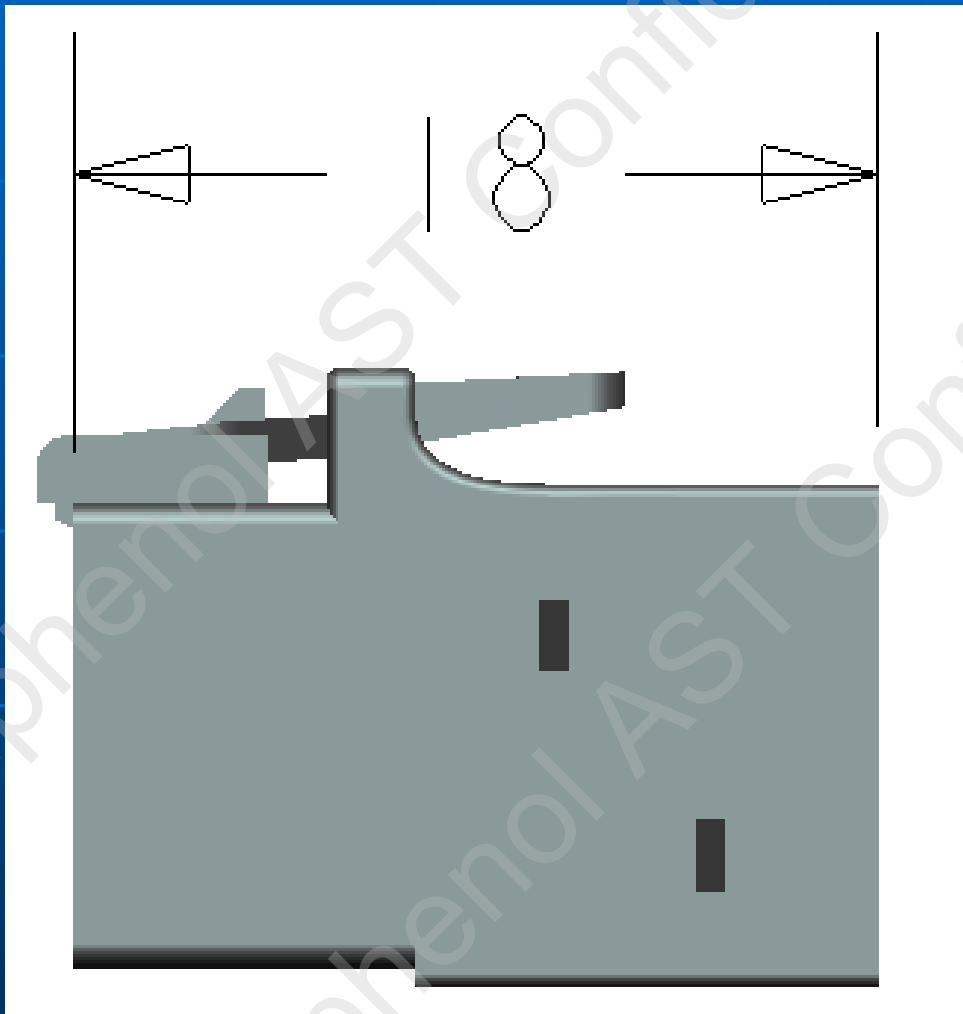
b. Product Description

Configuration :HD Mini SAS 36P STRAIGHT

Wire gauge: SAS Cable:28AWG, 30AWG

Available lengths: 120~1000mm

Connector Housing Length:18.0MM



**Amphenol
AssembleTech**

23. HD Mini SAS 36P R/A-SHORT

a. Over mold P/N: AST8643-0036-RA-SHORT

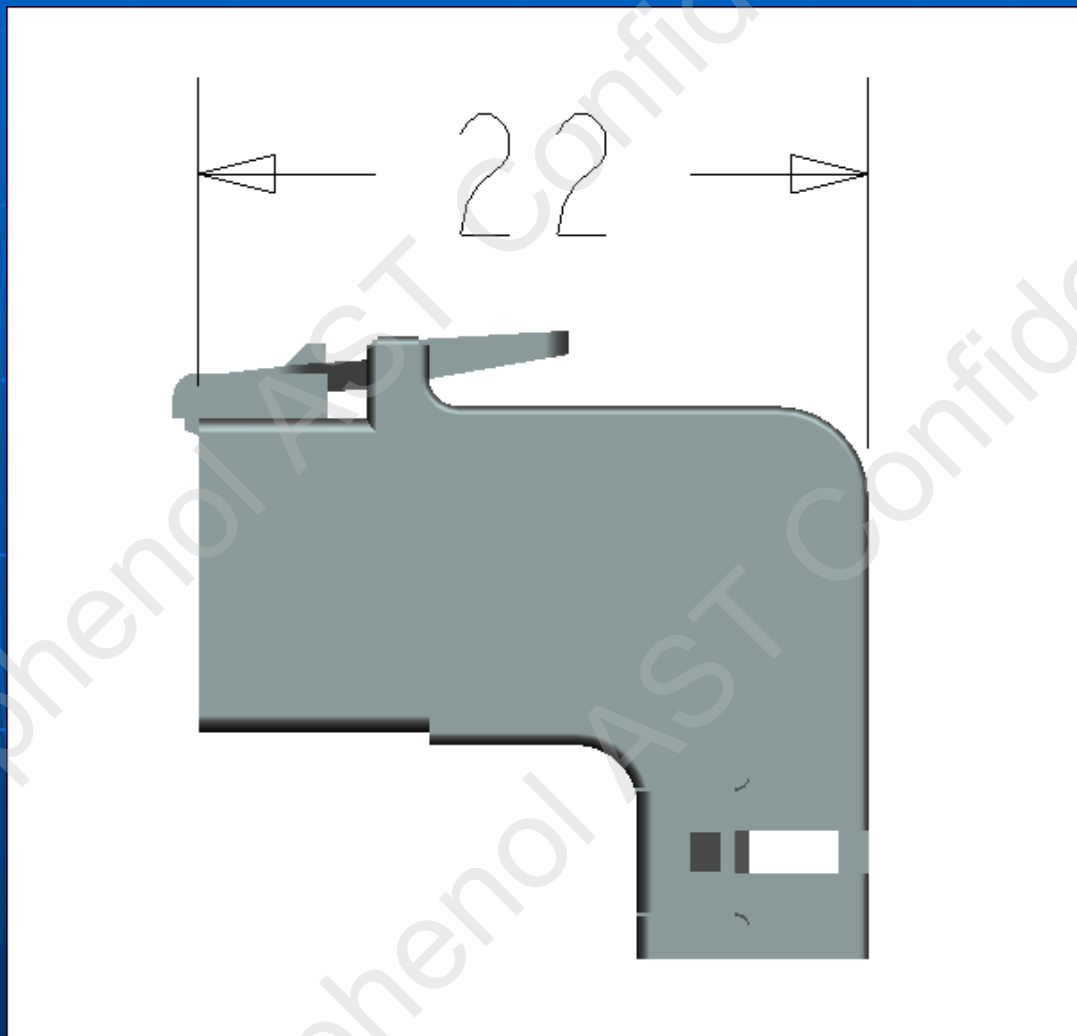
b. Product Description

Configuration :HD Mini SAS 36P SIDE-EXIT

Wire gauge: SAS Cable:28AWG, 30AWG

Available lengths: 120~1000mm

Connector Housing length:22.0MM



Amphenol
AssembleTech

24. HD Mini SAS 36P Side-exit Short Body

a. Over mold P/N: AST8643-0036-SE-SHORT

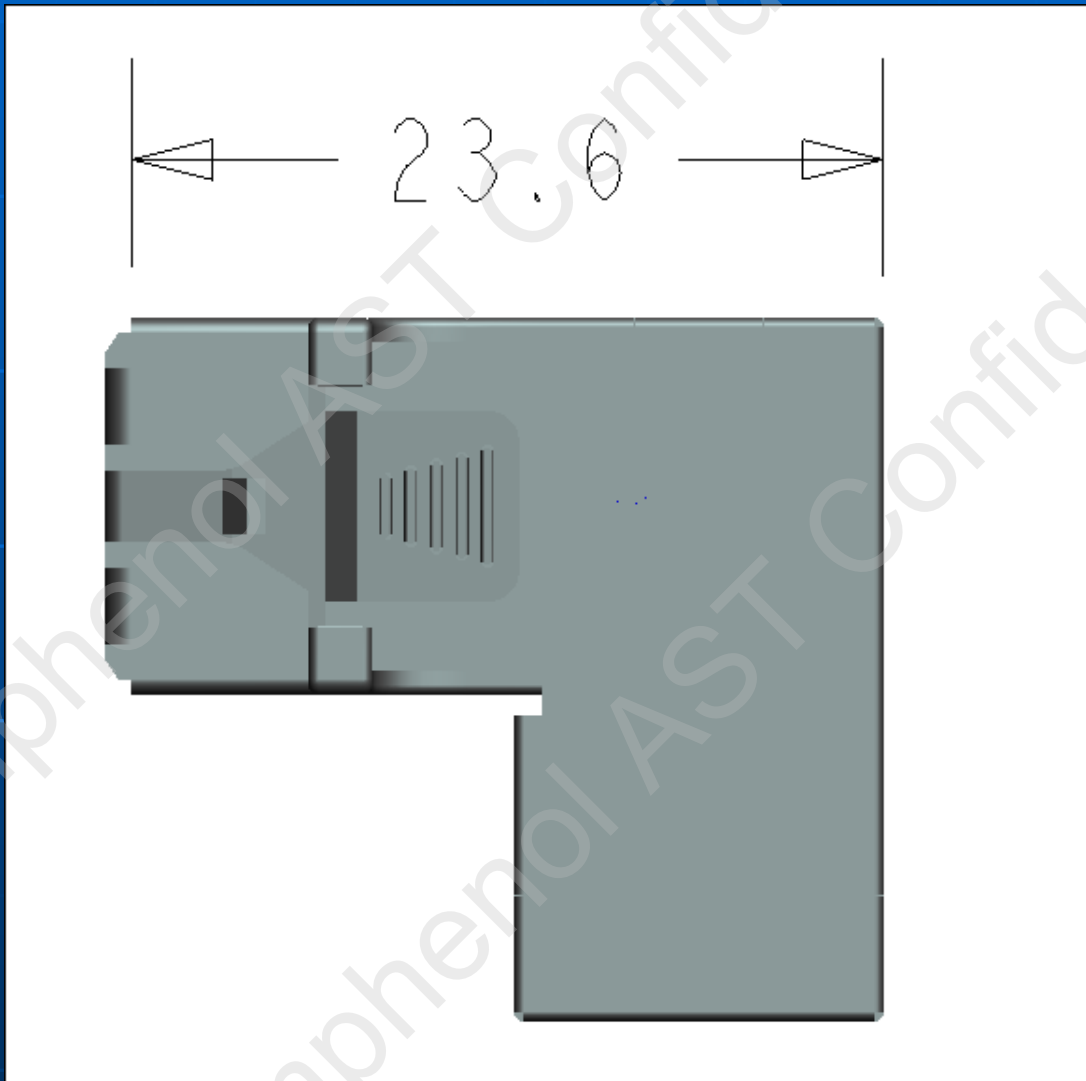
b. Product Description

Configuration : HD Mini SAS 36P SIDE-EXIT

Wire gauge: SAS Cable:28AWG, 30AWG

Available lengths: 120~1000mm

Connector Housing length: 23.6MM



Amphenol
AssembleTech

Thank you

**Amphenol
AssembleTech**